

Amaterska radioastronomija

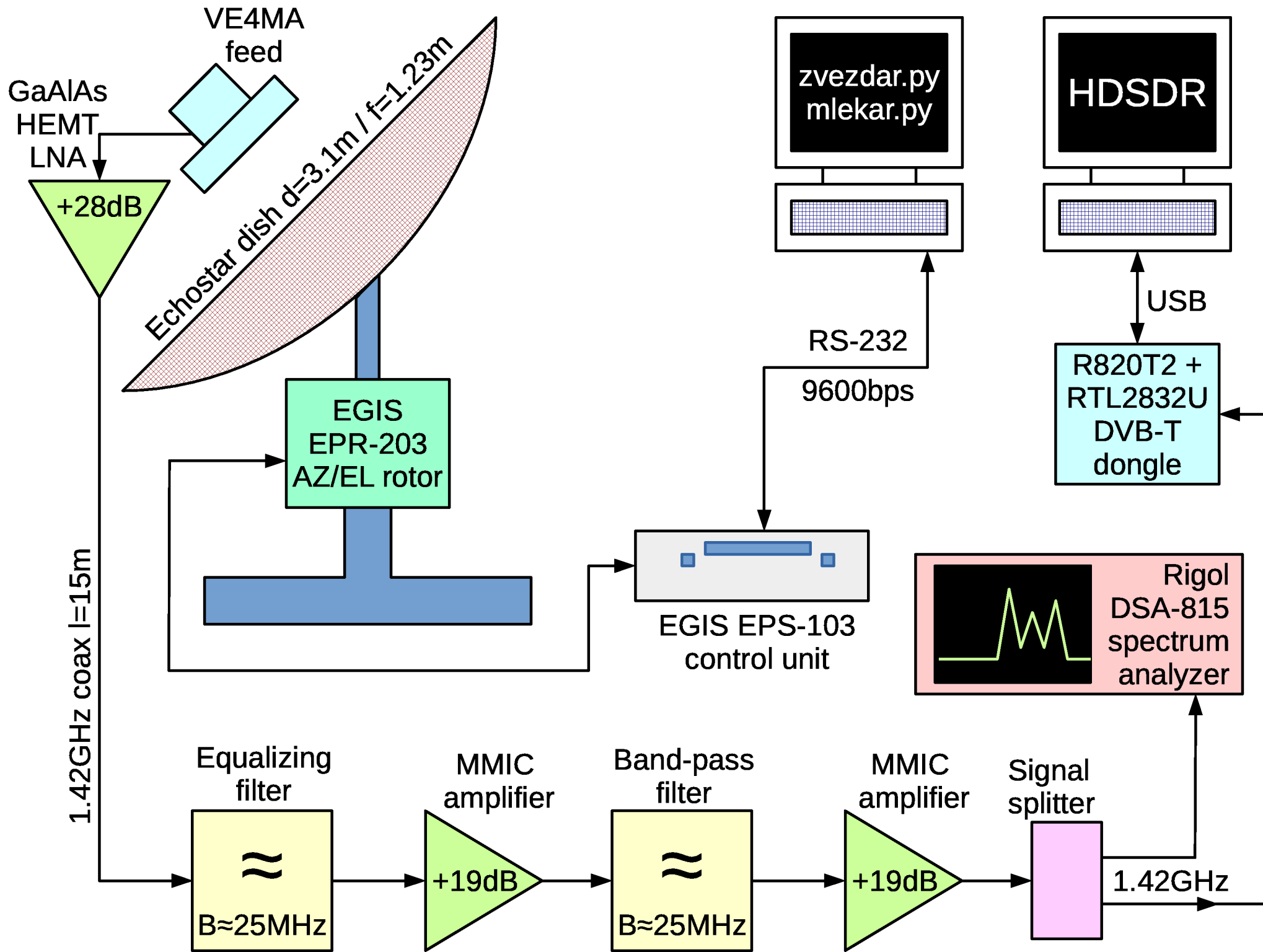
7 – Sita

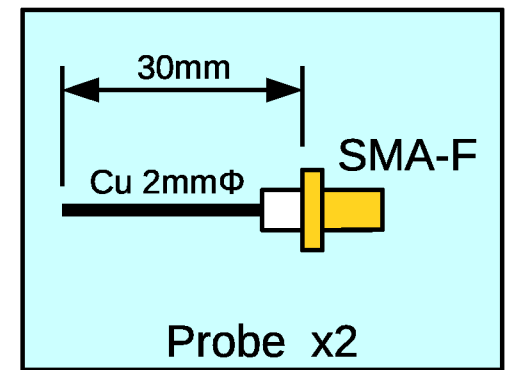
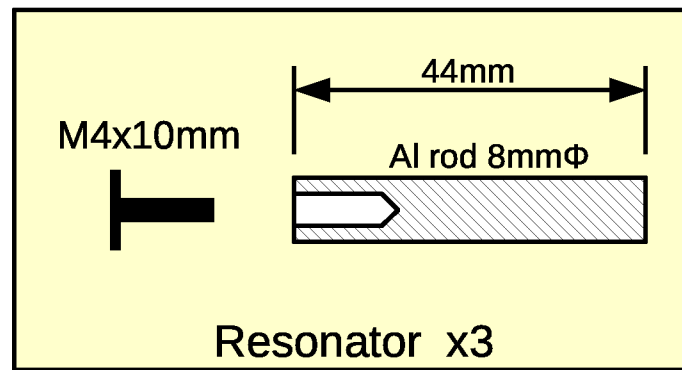
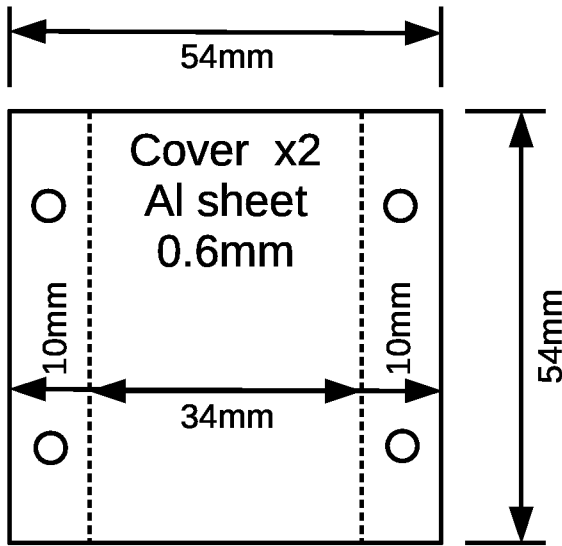
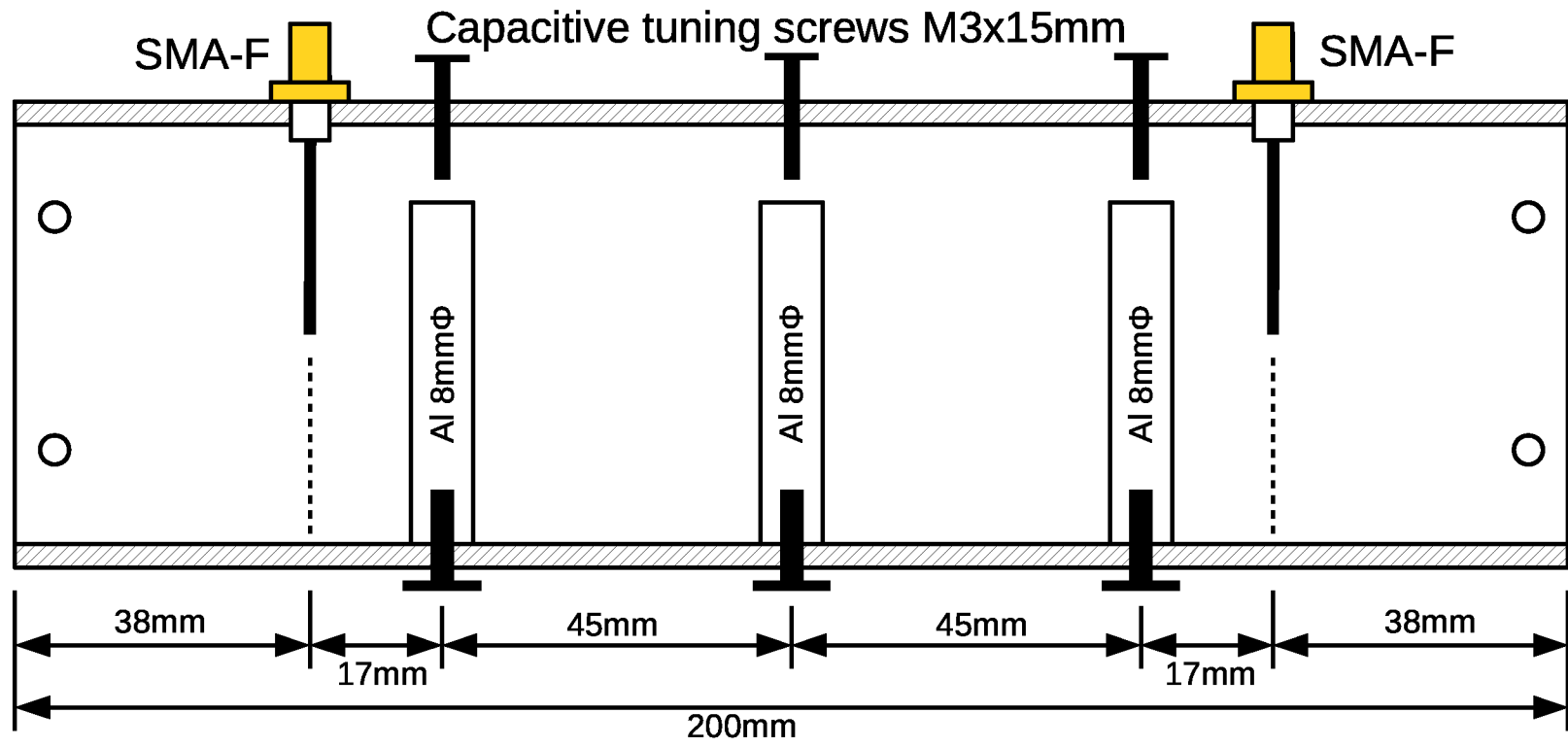
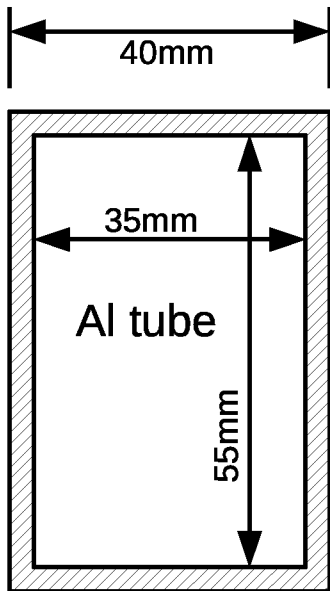


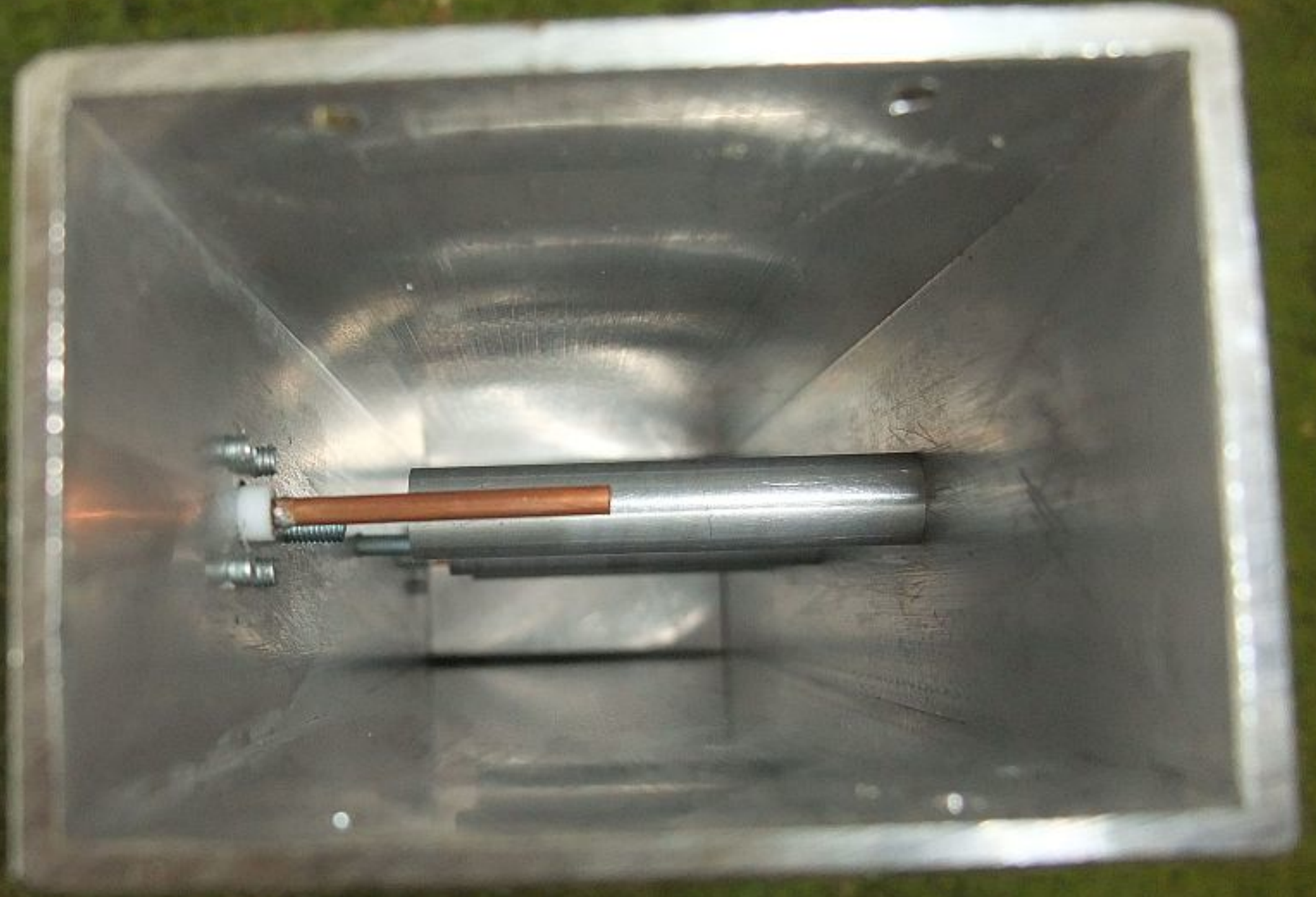
Laboratorij za sevanje in optiko

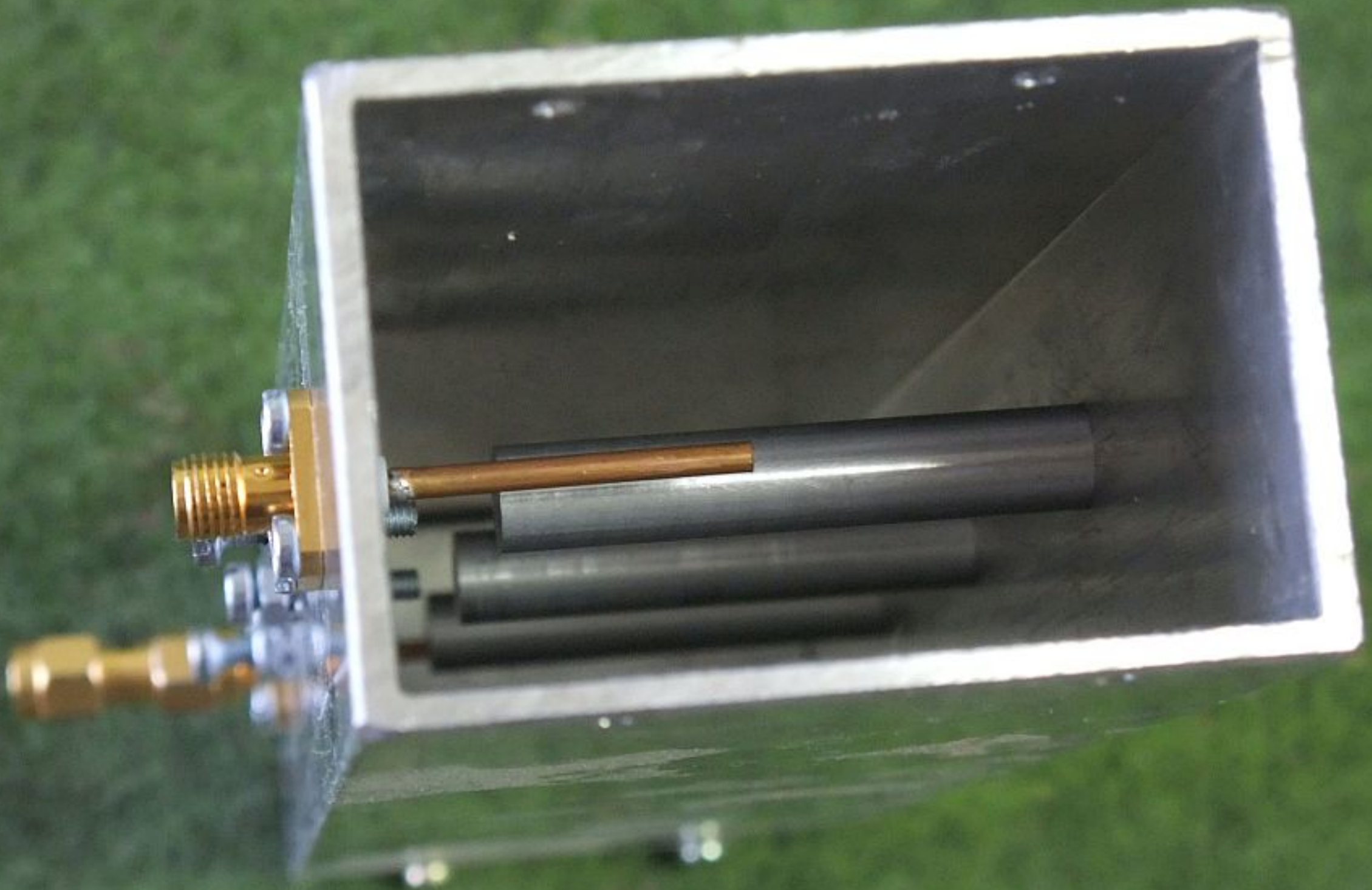
Tadeja Saje, S56ZSA
&

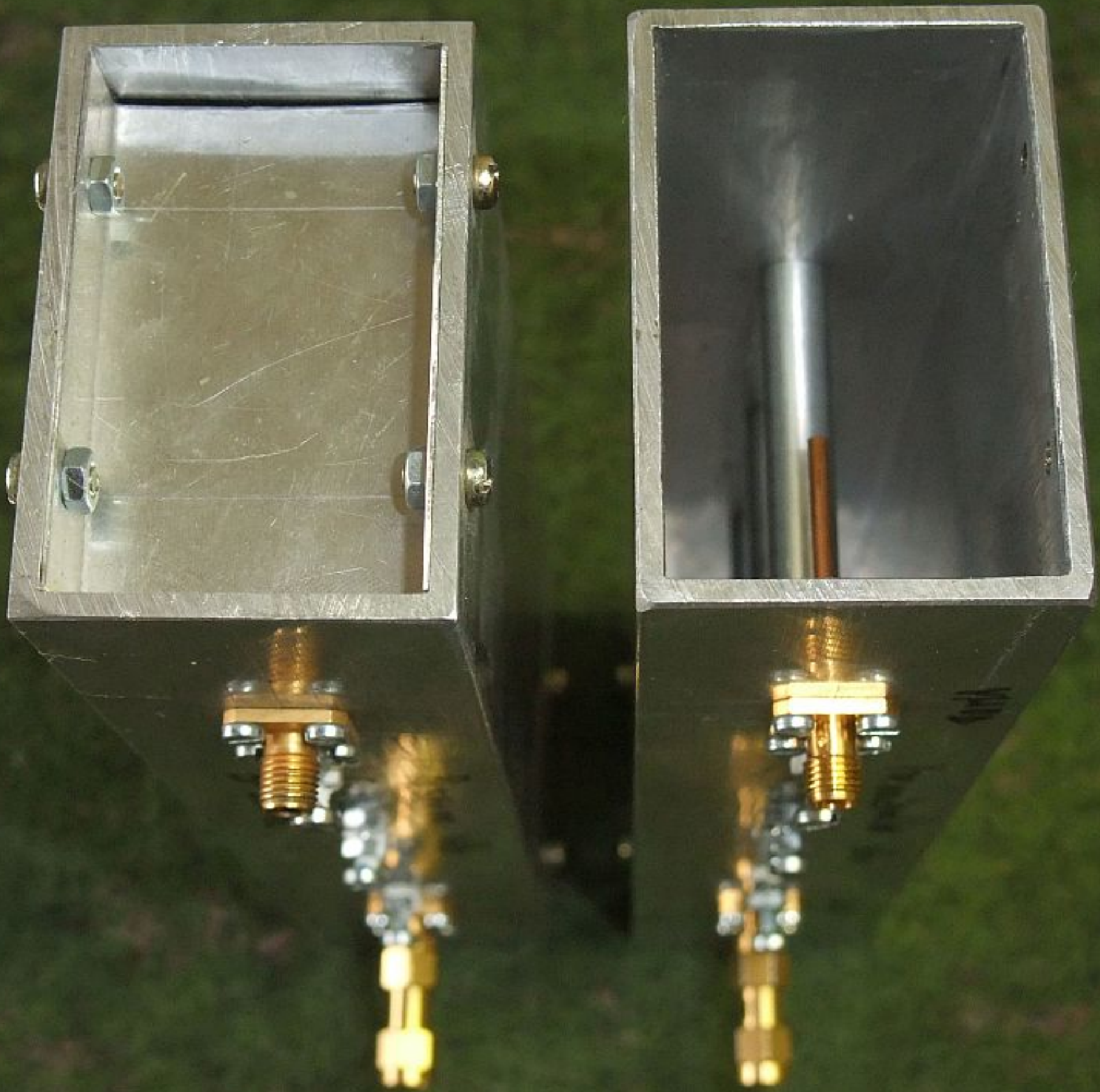
Matjaž Vidmar, S53MV

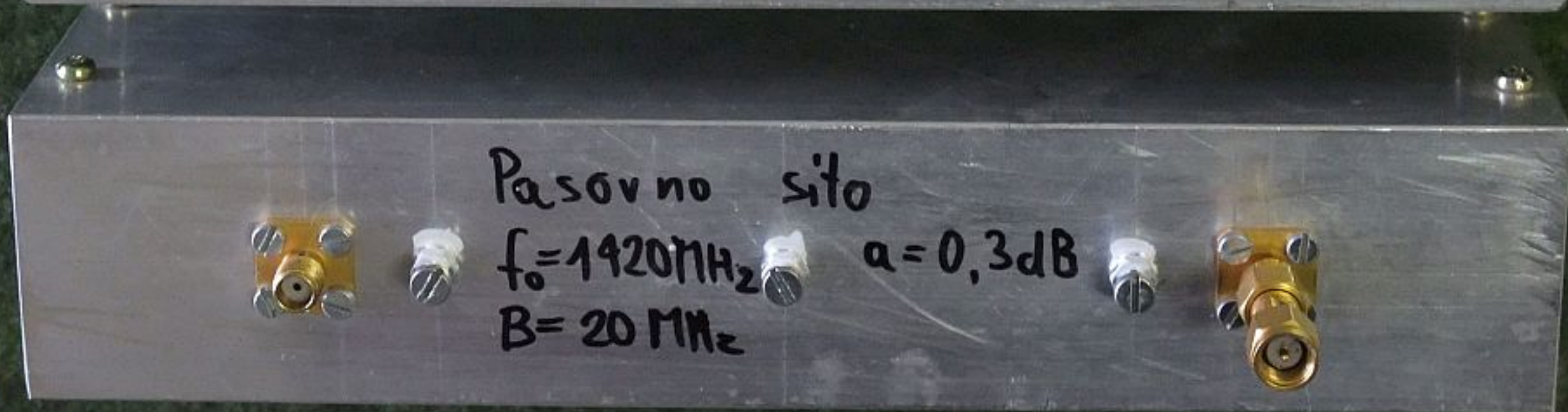
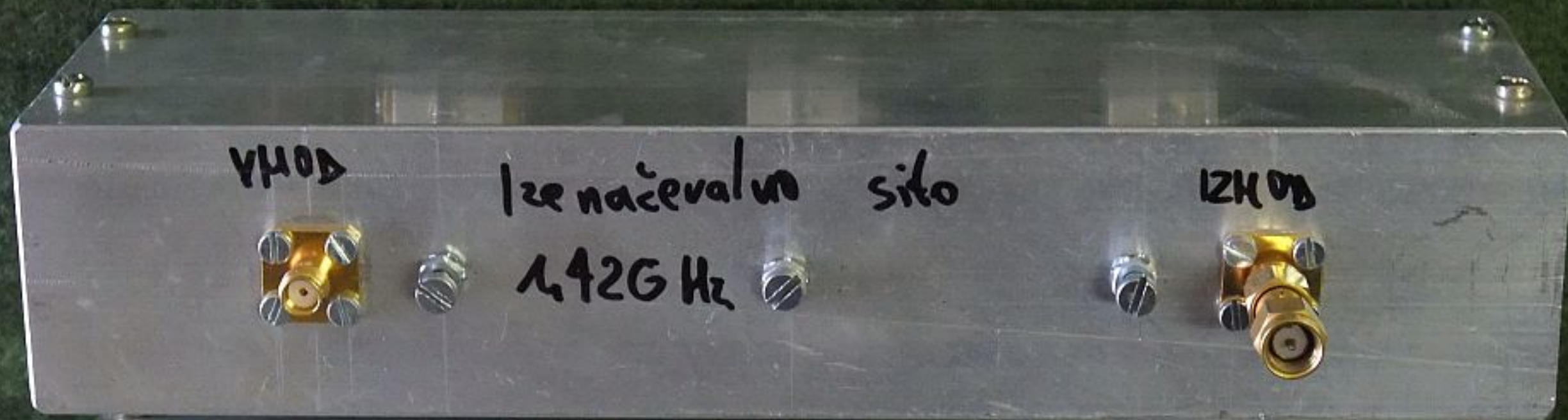


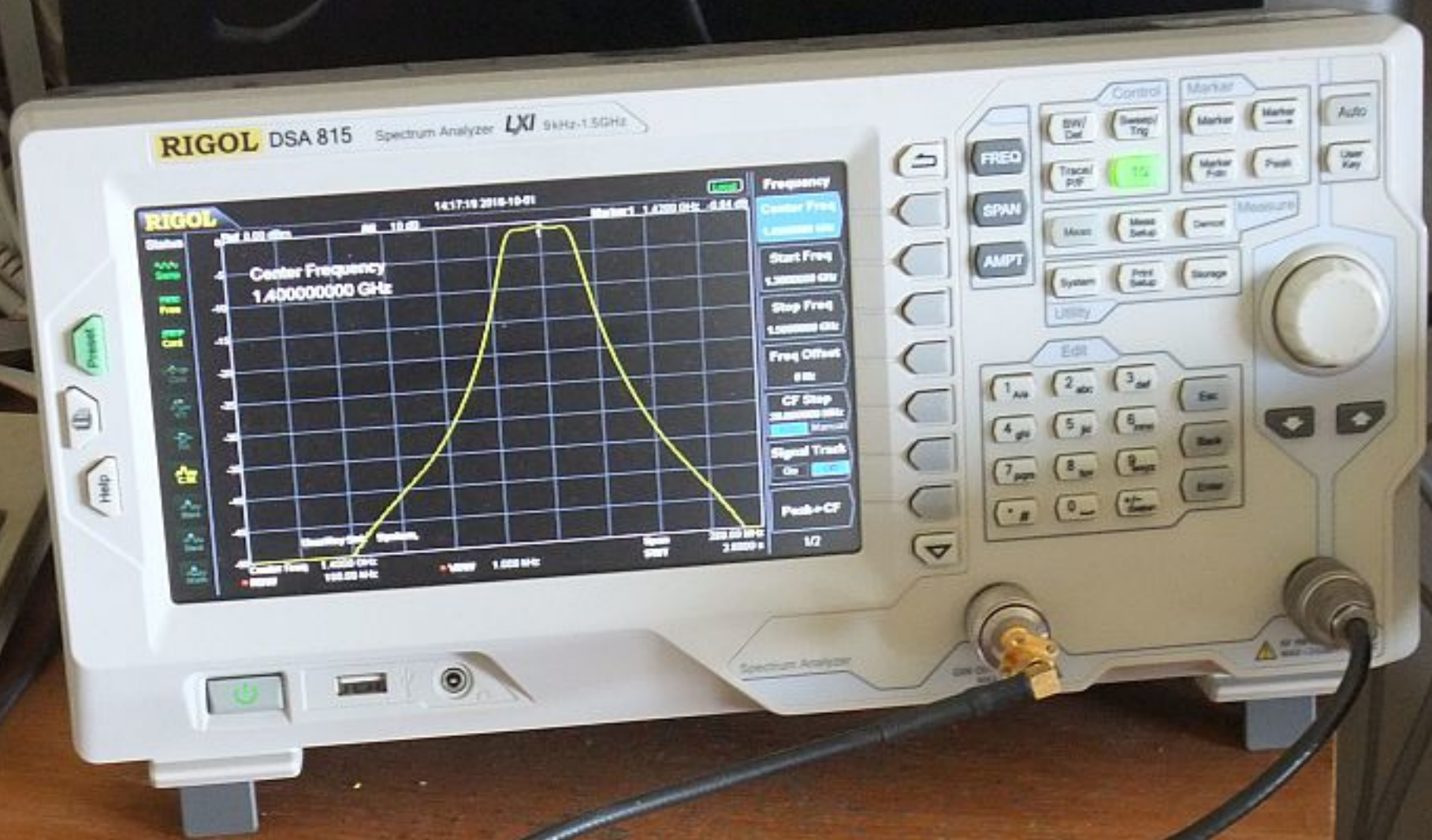




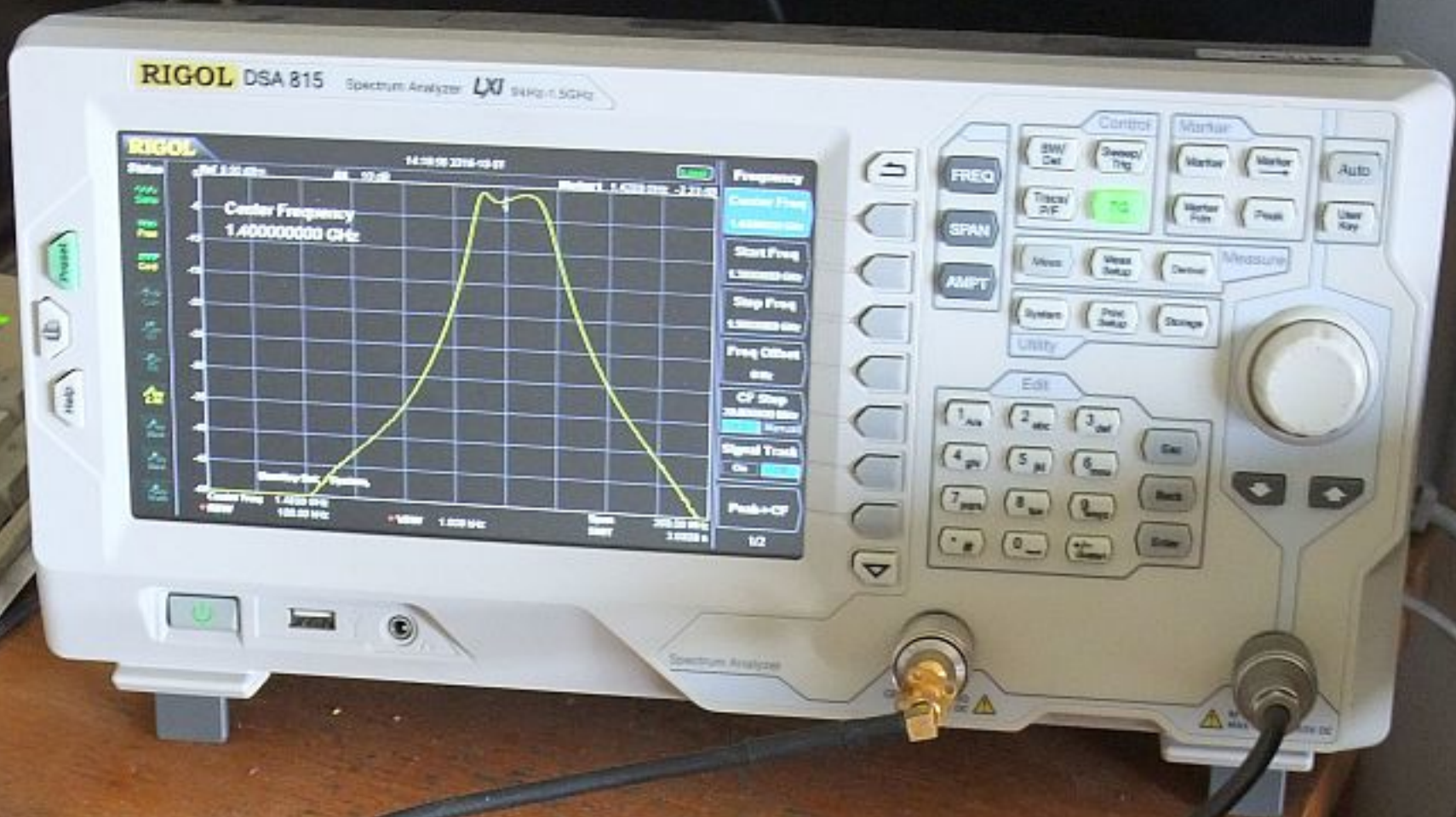


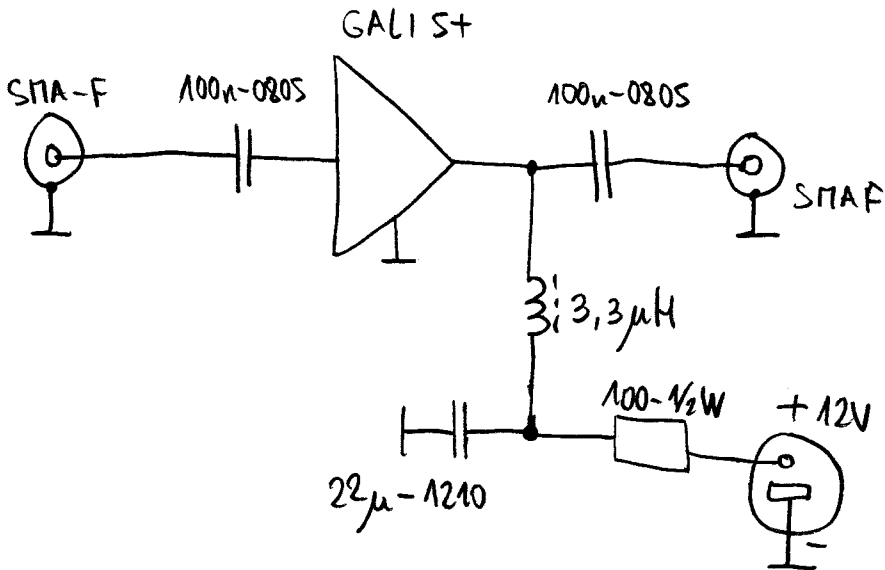






Pasovno sito
 $f_0 = 1420 \text{ MHz}$
 $B = 20 \text{ MHz}$
 $a = 0,3 \text{ dB}$





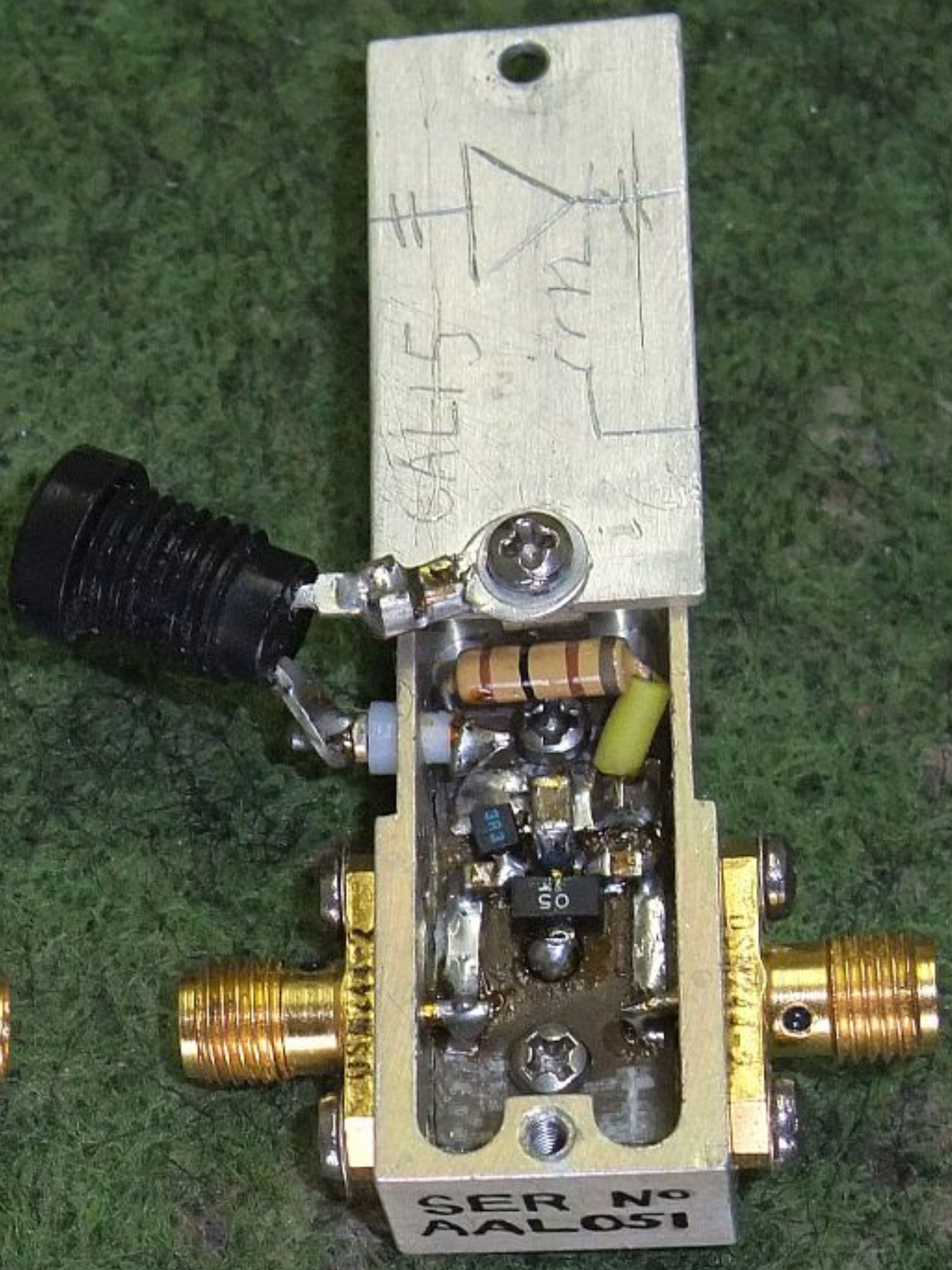
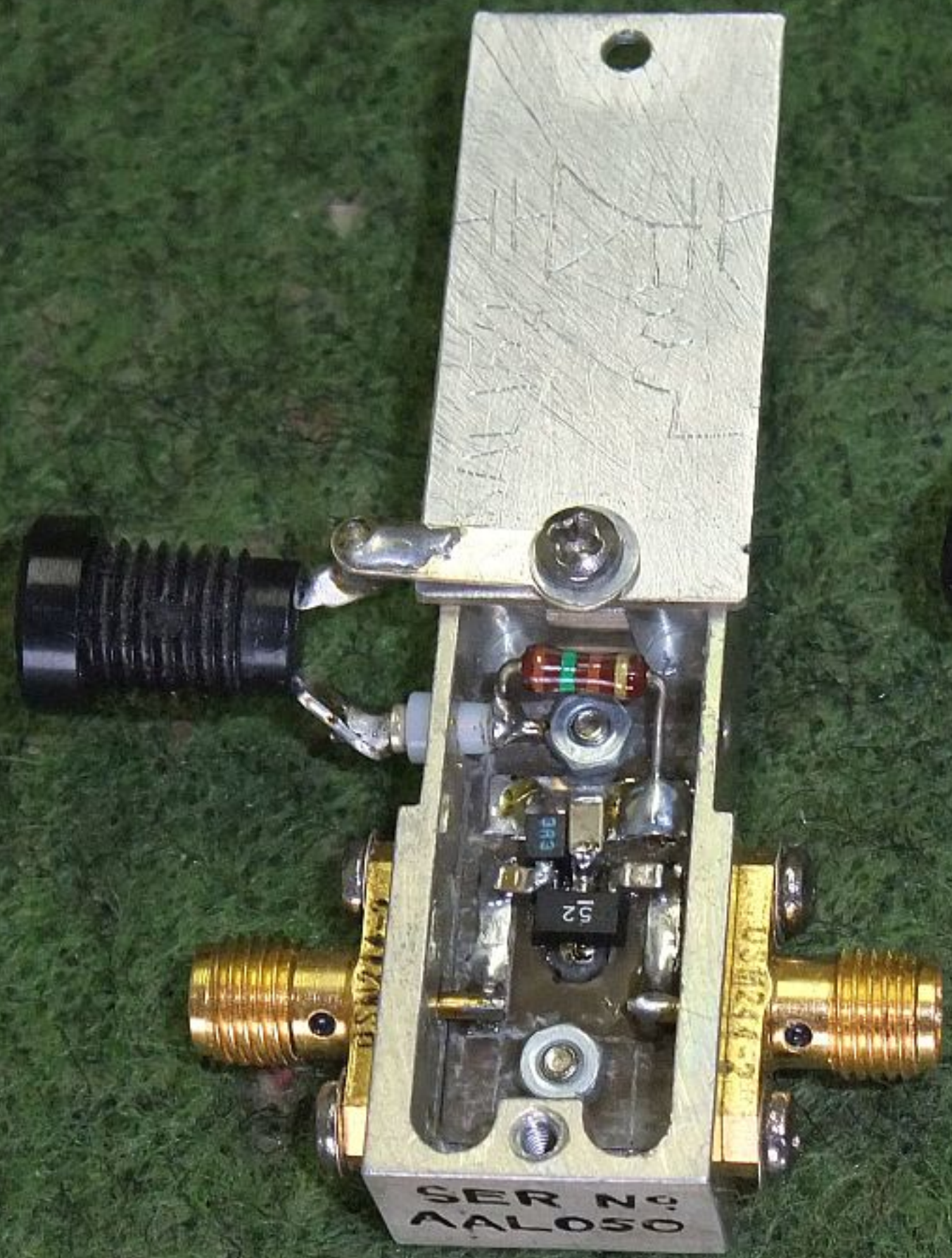
Ojačevalnik z GALIS+ $\approx 20\text{dB}$

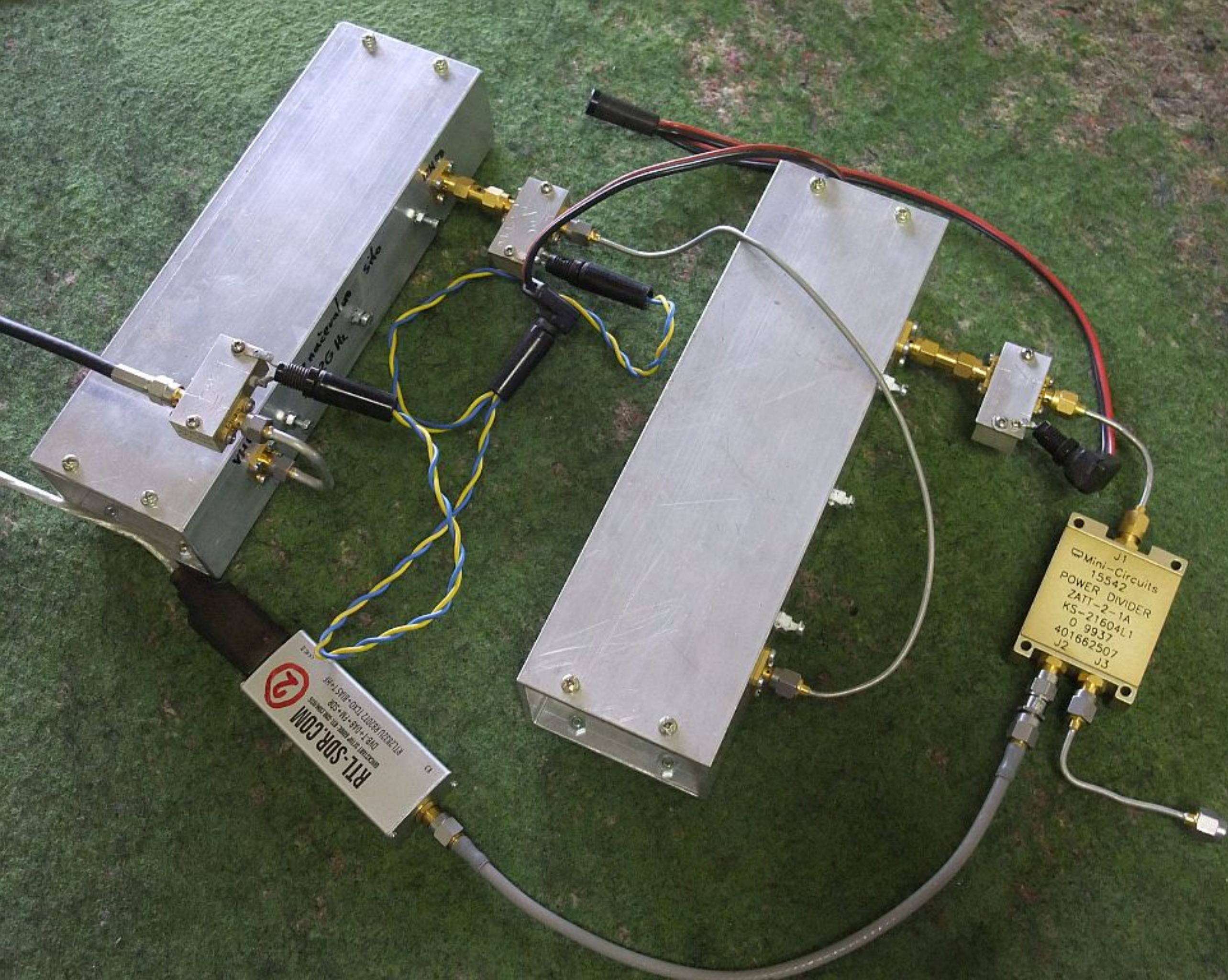
553MV 19/8/2015







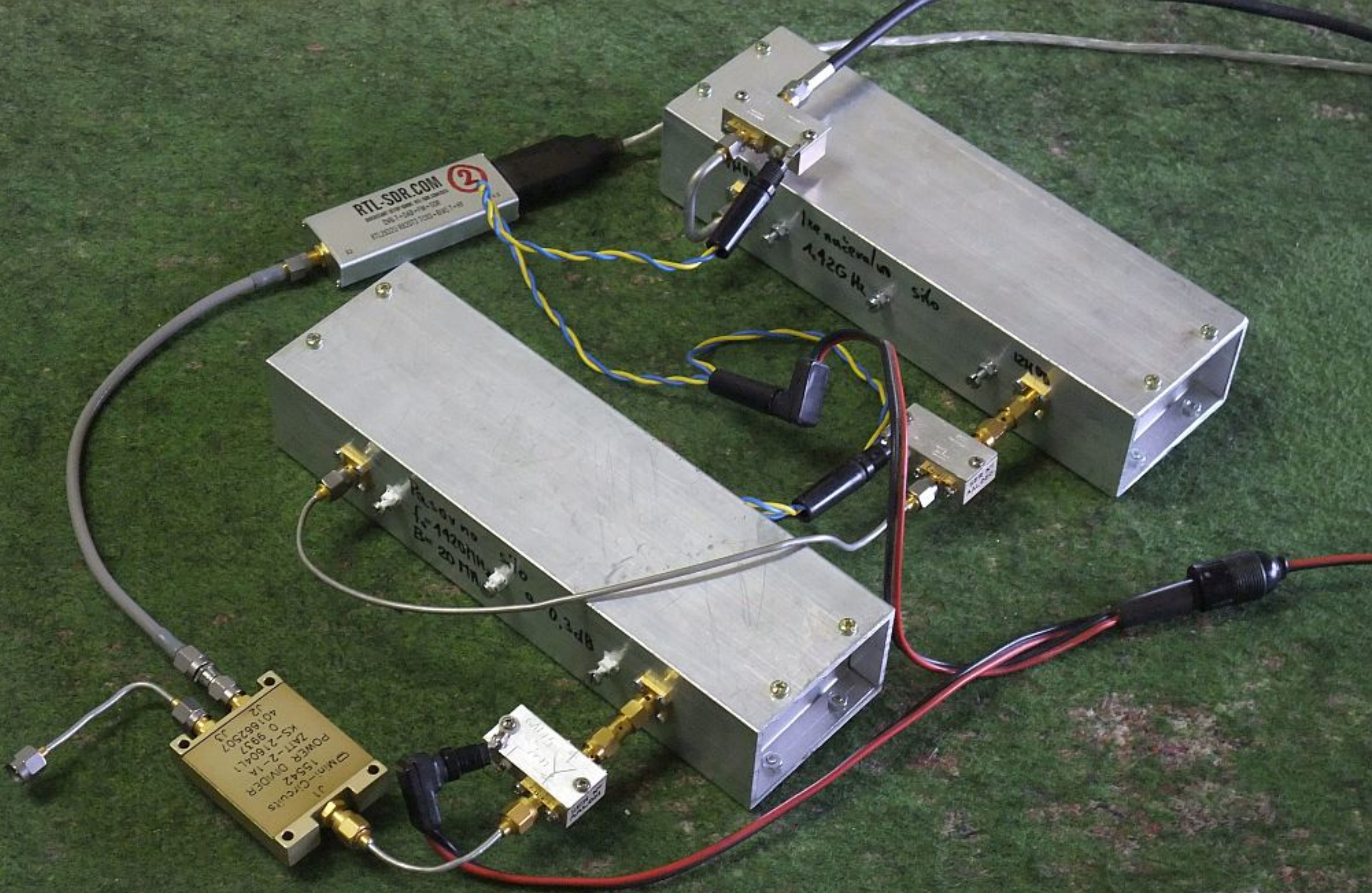




RTL-SDR.COM
DIP: 1-848-154-598
RTL2820 RevB2 120-845 1.9K
Rev 1

Mini-Circuits
15542
POWER DIVIDER
ZATT-2-1A
KS-21604L1
O 9937
401662507
J1
J2
J3

naicem/ao
2G M
sifo





Mini-Circuits
15542
POWER DIVIDER
ZATT-2-1A
KS-2160A-L1
0 8957
401662507
J2

RTL-SDR.COM
RECEIVERS FOR GNU-RTX, GNU-SDR
DR-1-GAS-FM-SDR
RTL2320U VER2017 T103-BIAS-T-HP
L13

