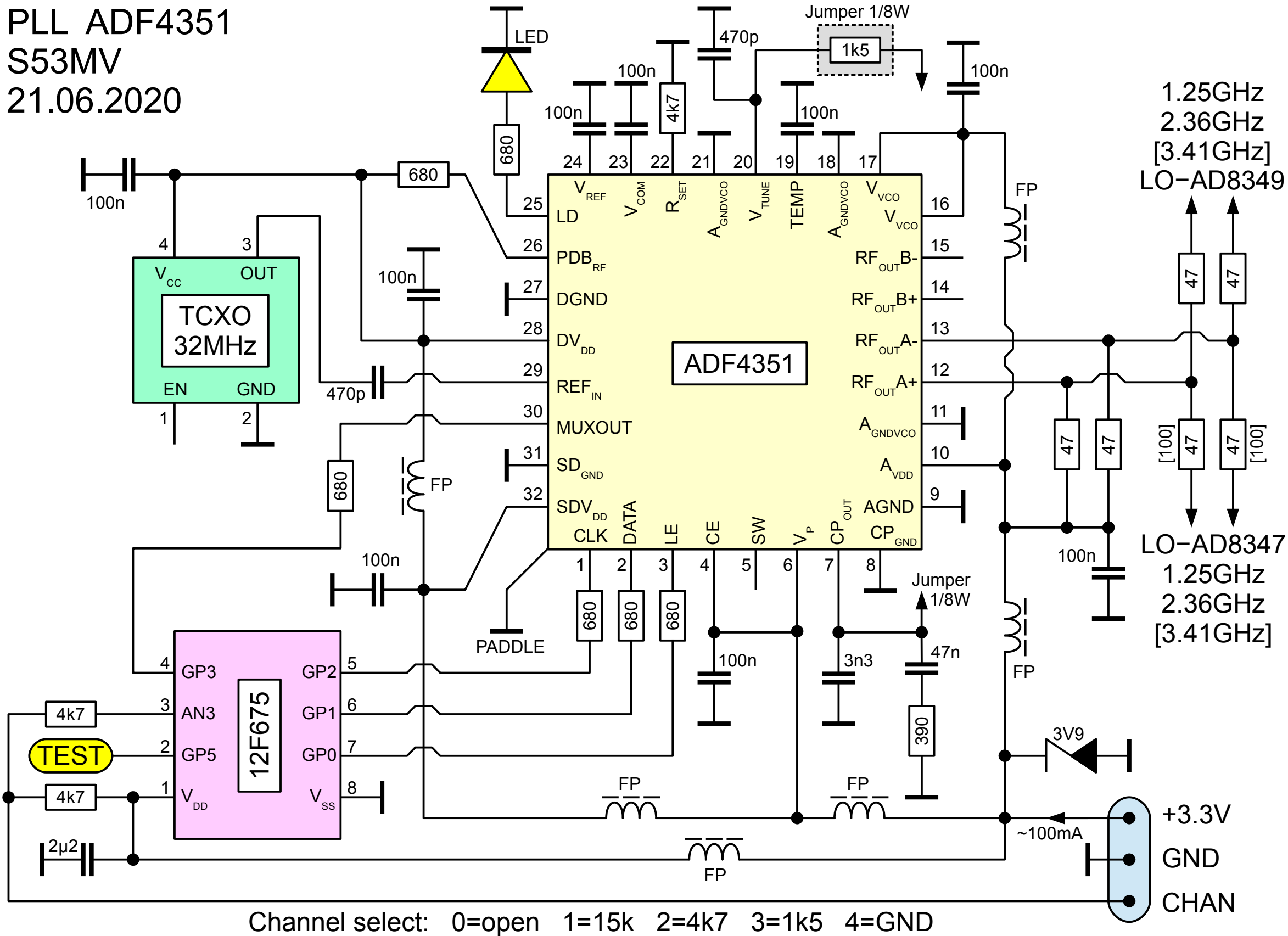


PLL ADF4351  
 S53MV  
 21.06.2020



Channel select: 0=open 1=15k 2=4k7 3=1k5 4=GND

1.25GHz  
 2.36GHz  
 [3.41GHz]  
 LO-AD8349

LO-AD8347  
 1.25GHz  
 2.36GHz  
 [3.41GHz]

+3.3V  
 GND  
 CHAN