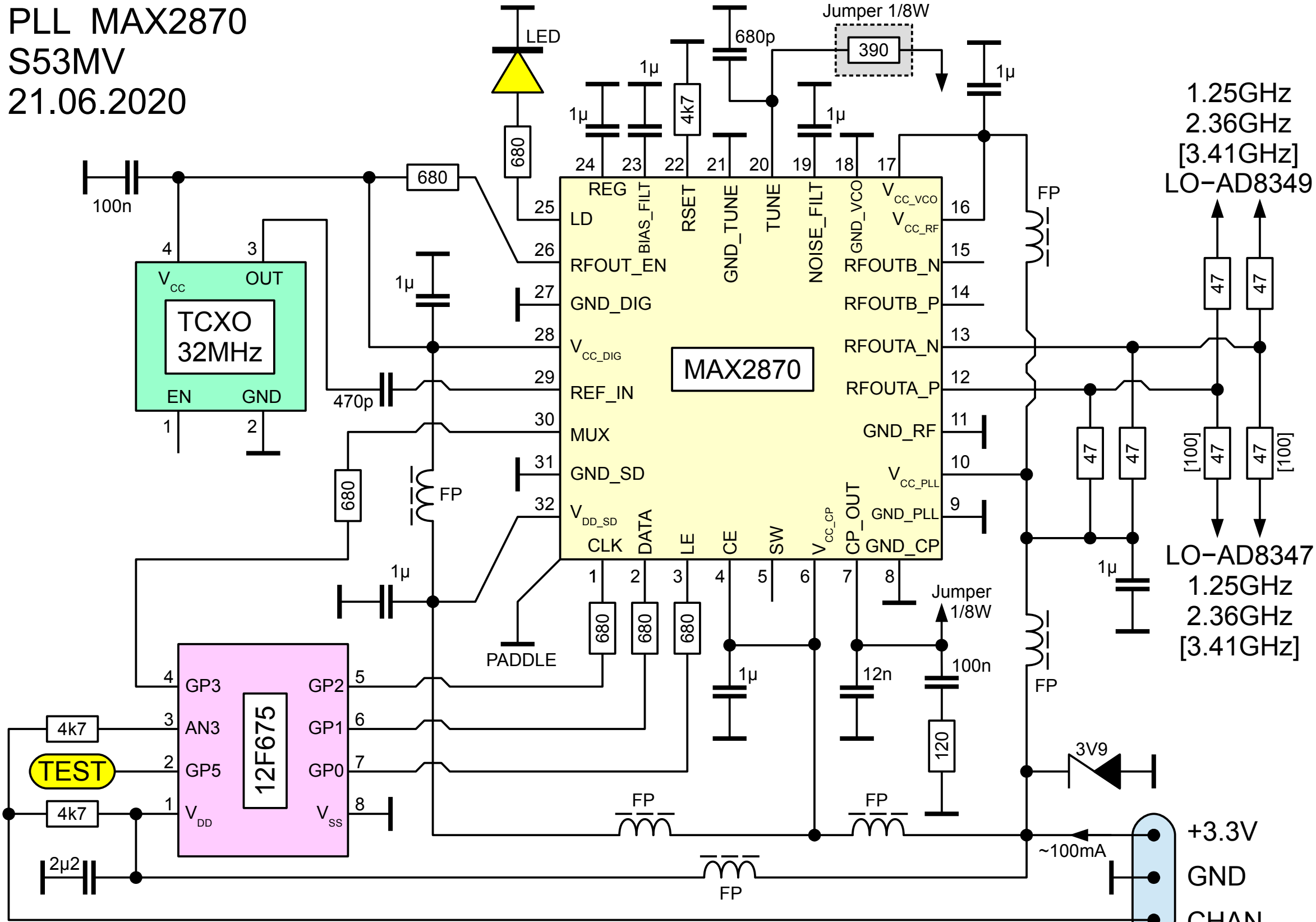


PLL MAX2870
 S53MV
 21.06.2020



Channel select: 0=open 1=15k 2=4k7 3=1k5 4=GND

1.25GHz
 2.36GHz
 [3.41GHz]
 LO-AD8349

LO-AD8347
 1.25GHz
 2.36GHz
 [3.41GHz]

+3.3V
 GND
 CHAN