

# ZIF-RX AD8347

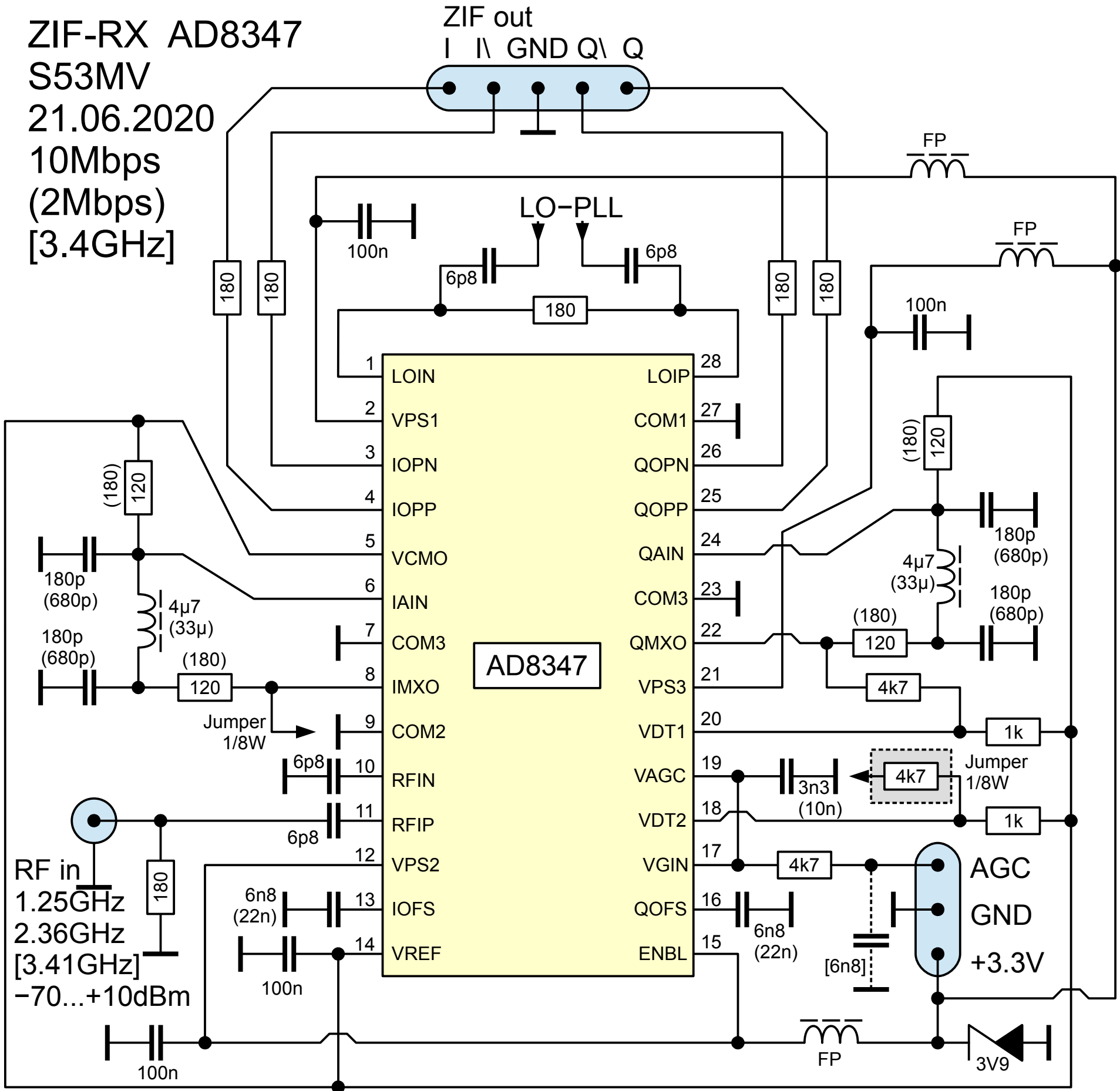
S53MV

21.06.2020

10Mbps

(2Mbps)

[3.4GHz]



RF in  
1.25GHz  
2.36GHz  
[3.41GHz]  
-70...+10dBm

AD8347

ZIF out  
I \ GND Q \ Q

AGC  
GND  
+3.3V